



# QUANTM<sup>®</sup>

## i80 Industrial Pumps

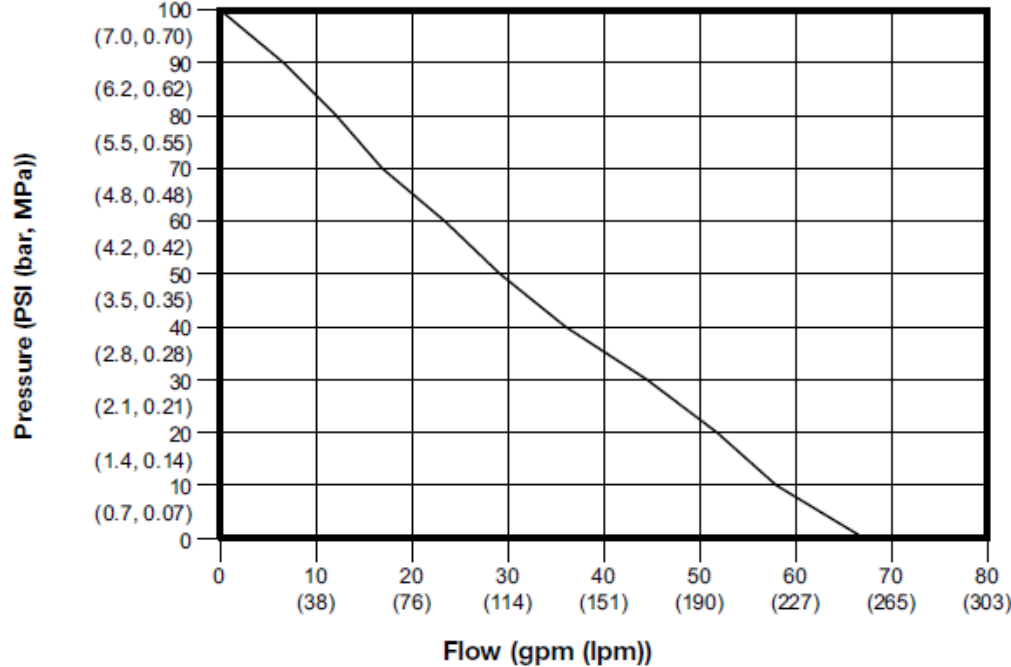
### Technical Specifications

	US	Metric
Maximum Fluid Pressure	100 psi	6.89 bar, 0.69 Mpa
Maximum Fluid Flow	80 gpm	303 lpm
Maximum Particle Size	0.19 in	4.8 mm
Environmental Temp Rating	0 to 104 °F	-18 to 40 °C
Fluid Connection	<b>AL, SST (1.5 in NPT)</b> <b>CP, PP, PV (1.5 in. ANSI/DIN)</b>	<b>AL, SST (1.5 in BSPT)</b> <b>CP, PP, PV (1.5 in. ANSI/DIN)</b>
Wet Suction Lift	Dry (13.3 ft) Wet (13.3 ft)	Dry (4.0 m) Wet (4.0 m)
Approvals	UL, ATEX, C1D1 Group D	
Fluid Section Materials	Aluminum, Stainless Steel, Polypropylene, Conductive Polypropylene, PVDF, Hastelloy	
Seat Options	Aluminum, Santoprene, Geolast, Hytrel, Stainless Steel, Buna, FKM	
Check Ball Options	TPE, Santoprene, Geolast, Hytrel, PTFE, Buna, FKM, Stainless Steel, Acetal	
Diaphragm Options	2-piece PTFE, PTFE OM, Santoprene, Buna, FKM, Geolast, Hytrel	
Seals and Gasket Options	PTFE, Buna	

### Electrical Ratings

	Rated Voltage	Phase	Hertz	Current	Plug Type	Approvals
F1 Motor (North America)	200-240 V	3	50/60 Hz	7.5 A	NEMA L15-20	UL, Ordinary Location
F2 motor, (World Wide)	200-240 V	1	50/60 Hz	15 A	NEMA L15-20	UL, Ordinary Location
F3 Motor (North America)	200-240 V	3	50/60 Hz	7.5 A	Flying Leads	UL, C1D1 Group D
F4 motor, (World Wide)	200-240 V	1	50/60 Hz	15 A	Flying Leads	UL, ATEX

### Performance & Power

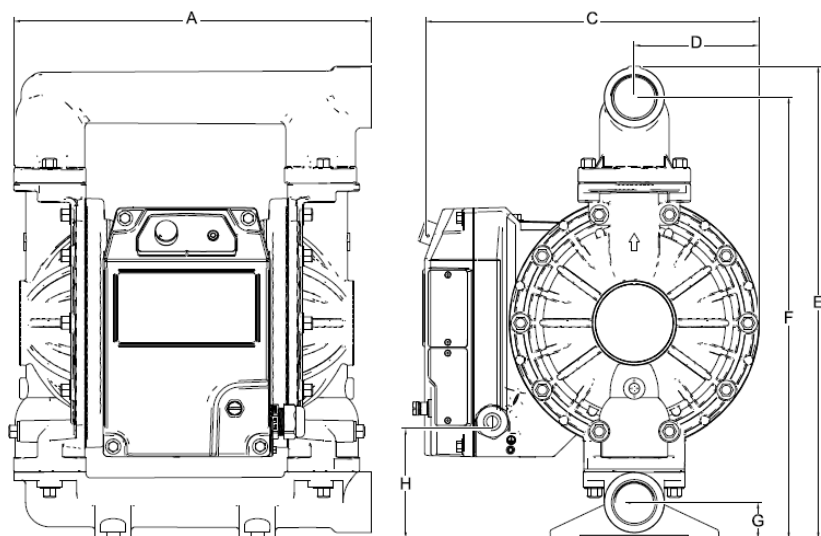




# QUANTM<sup>®</sup>

## i80 Industrial Pumps

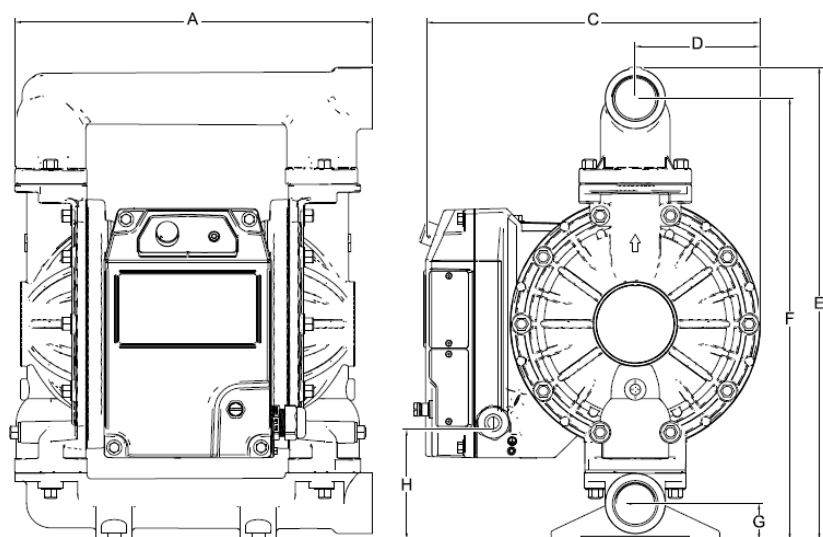
### Aluminum Pumps



Dim Ref.	in.	cm
A	15.07	38.28
C	13.81	35.08
D	5.17	13.13
E	19.60	49.78
F	18.30	46.48
G	1.50	3.81
H	4.55	11.56
J	6.00	15.24
K	6.00	15.24

Weight	
71 lb	32.2 kg

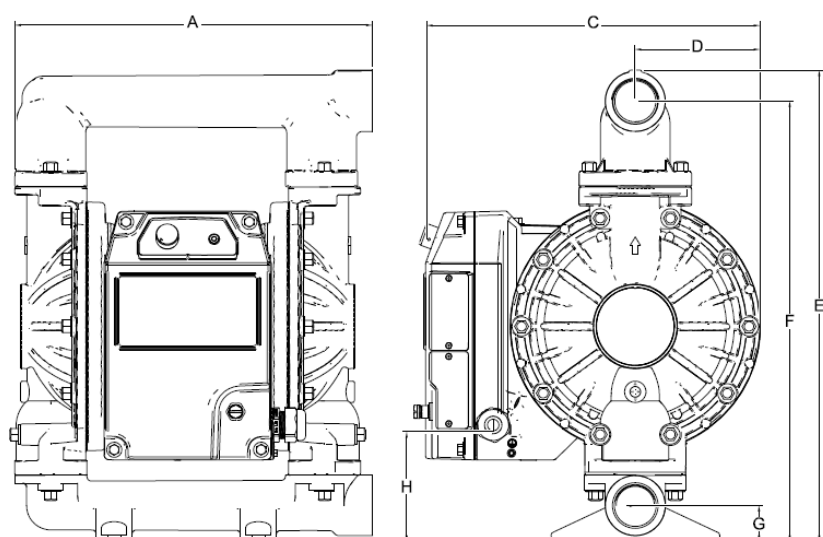
### Stainless Steel & Hastelloy



Dim Ref.	in.	cm
A	16.10	40.89
C	13.85	35.18
D	5.21	13.23
E	18.97	48.18
F	17.75	45.09
G	1.44	3.66
H	4.55	11.56
J	6.00	15.24
K	6.00	15.24

Weight	
112 lb	50.8 kg

### Polypropylene, Conductive Polypropylene, & PVDF



Dim Ref.	in.	cm
A	17.60	44.70
C	13.87	35.23
D	5.23	13.28
E	22.00	55.88
F	19.30	49.02
G	3.00	7.62
H	5.85	14.86
J	6.00	15.24
K	6.00	15.24

Weight		
PP, CP	75 lb	34 kg
PV	85 lb	38.5 kg